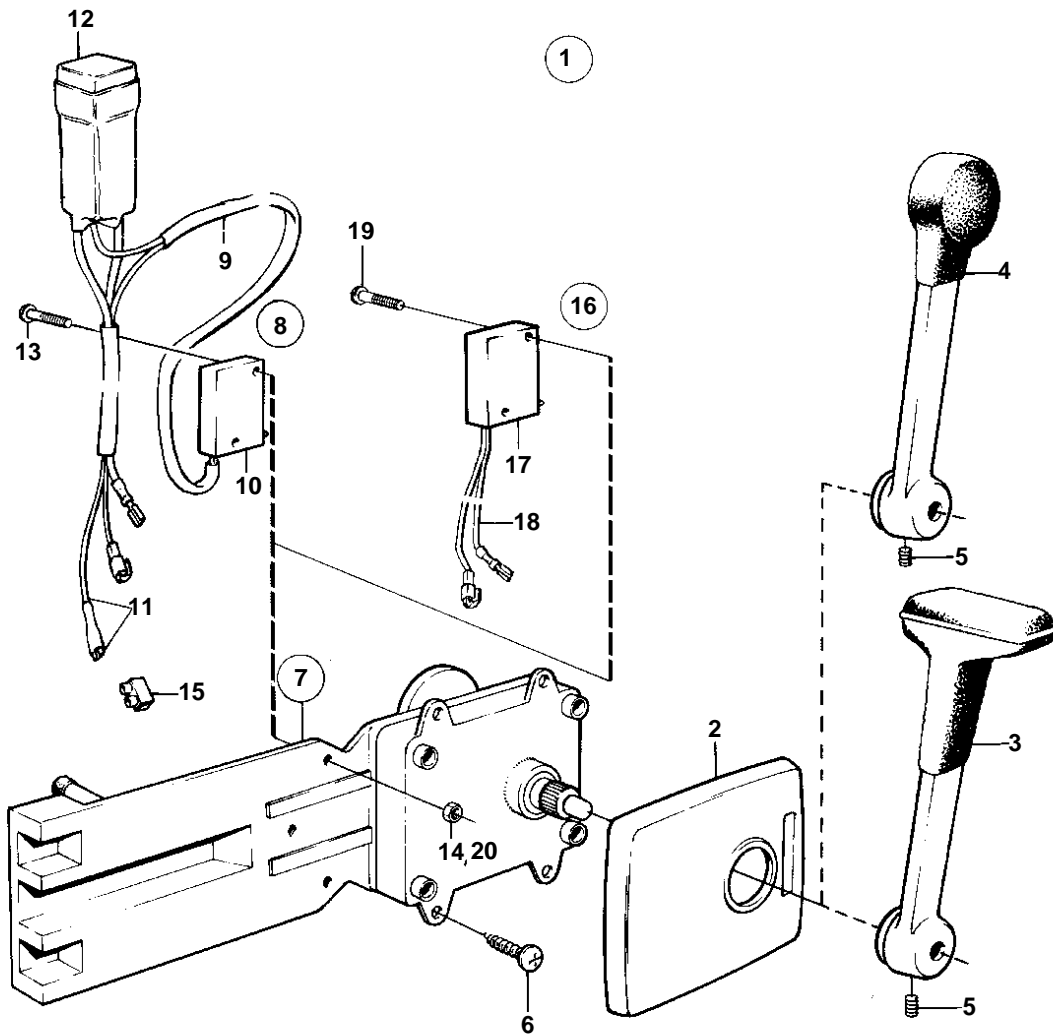


COMMON



4806

COMMON

REF	PART NO.	QTY	DESCRIPTION	SEE SEC.	NOTES
1	839515	1	Mounting kit		REPL BY 851604
2	839518	1	• Cover	IK	
3	839520	1	• Lever	IK	
5	946786	1	• Lock screw	IK	M5
	839693	1	• Lock screw	IK	M8
6	955142	4	• Screw	IK	
7	839469	1	Control		TOP-MOUNTED REPLACED BY 851600.. SIDE-MOUNTED REPLACED BY 851601.
				090-0700	
8	839641	1	Neutral posit contac		MAIN STATION.
9	839619	1	• Cable kit		
10	850200	1	• • Switch		
11		X	• • CABLES AND CABLE TERMINALS		SEE GROUP 3
12	876037	1	• Relay kit		(839367)
13	946177	2	• Screw		
14	947536	2	• Nut		
15	182009	1	• Coupling piece		
16	828414	1	Neutral posit contac		D40.. MAIN STATION.
	828378	1	Switch		D40.. SECOND STATION.
17	850200	1	• Switch		
18		X	• • CABLES AND CABLE TERMINALS		SEE GROUP 3
19	946177	2	• Screw		
20	947536	2	• Nut		